

- LTE- Band40, RF SAW Filter
- Revision 0: February 2014

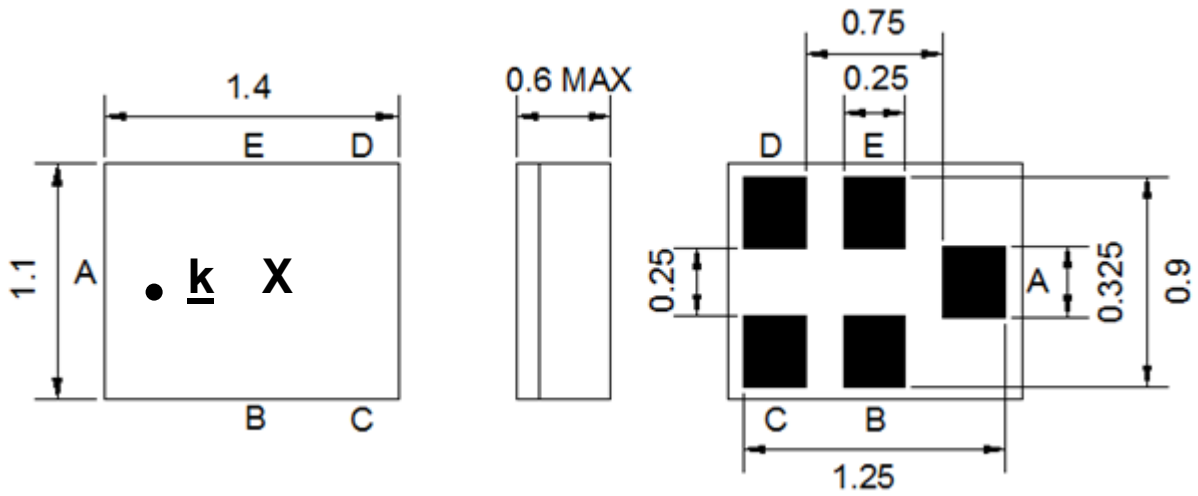
## Electrical Characteristics

MAXIMUM RATING				
PARAMETERS DESCRIPTION	UNIT	MINIMUM	TYPICAL	MAXIMUM
Operating Temperature Range	°C	-30	-	+85
Storage Temperature Range	°C	-40	-	+85
Maximum DC Voltage	V	-	-	0
Maximum Input Power	dBm	-	-	28
Source Impedance (single ended) <sup>(1)</sup>	Ω	-	50	-
Load Impedance (single ended) <sup>(1)</sup>	Ω	-	50	-
Package type & size	C23			
Length x Width	mm <sup>2</sup>	-	1.4 x 1.1	-
Height	mm	-	-	0.60

ELECTRICAL SPECIFICATION				
PARAMETERS DESCRIPTION	UNIT	MINIMUM	TYPICAL	MAXIMUM
Center Frequency (Fo)	MHz	-	2350.0	-
Max.Insertion Loss within 2300.0~2400.0 MHz	dB	-	1.8	2.8
Amplitude Ripple within 2300.0~2400.0 MHz	dB <sub>p-p</sub>	-	1.2	2.3
<b>Attenuation:</b>				
10.0 ~ 1574.0 MHz	dB	20	27	-
1574.0 ~ 1577.0 MHz	dB	20	27	-
1577.0 ~ 1680.0 MHz	dB	20	26	-
1845.0 ~ 1880.0 MHz	dB	18	23	-
2110.0 ~ 2170.0 MHz	dB	18	23	-
2240.0 ~ 2285.0 MHz	dB	1.5	3	-
2415.0 ~ 2420.0 MHz	dB	1.5	5	-
2420.0 ~ 2460.0 MHz	dB	3	10	-
2460.0 ~ 2485.0 MHz	dB	30	43	-
2485.0 ~ 2500.0 MHz	dB	30	37	-
2500.0 ~ 3000.0 MHz	dB	20	24	-
4600.0 ~ 4800.0 MHz	dB	30	42	-
4800.0 ~ 6000.0 MHz	dB	20	27	-
VSWR within 2300.0~2400.0 MHz	-	-	1.6	2.0

**Notes:** (1) With Matching Network (Ref. Testing Environment Circuit as shown below).

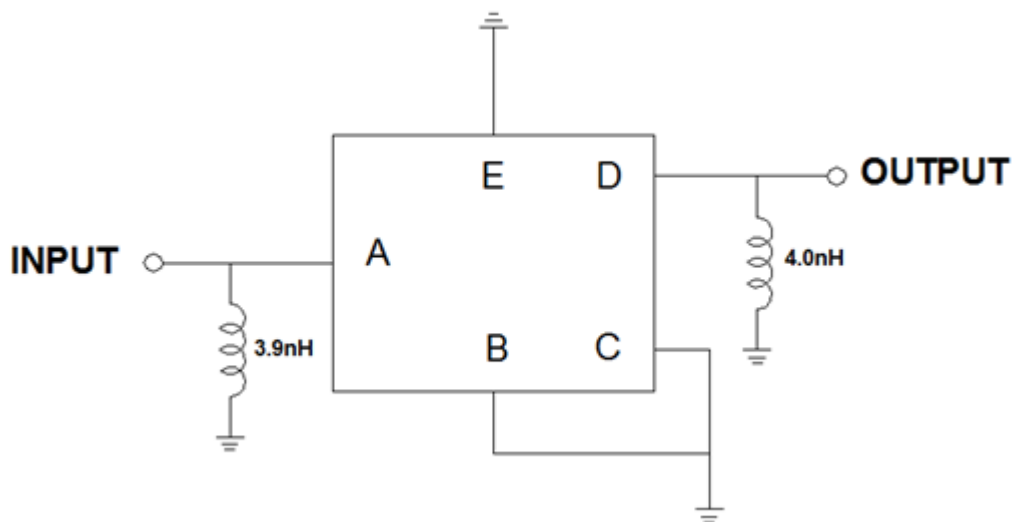
## Package Dimensions



Marking Descriptions	
k	Series Number
X	Date Code (Year+Month)

Pin Description	
B, C, E	Ground
A	Input
D	Output

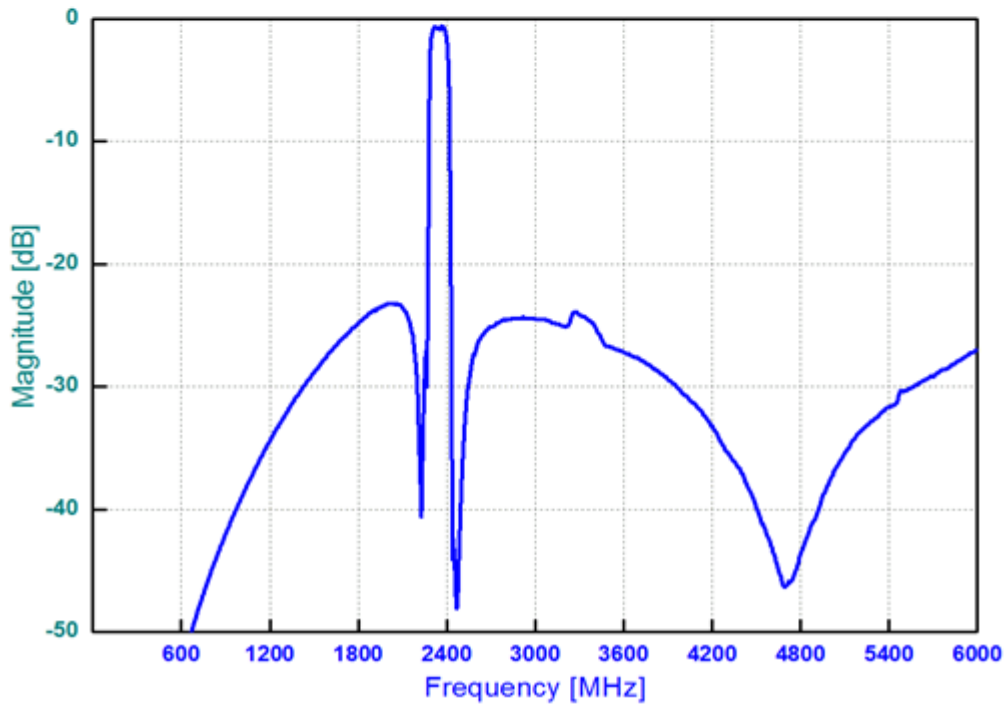
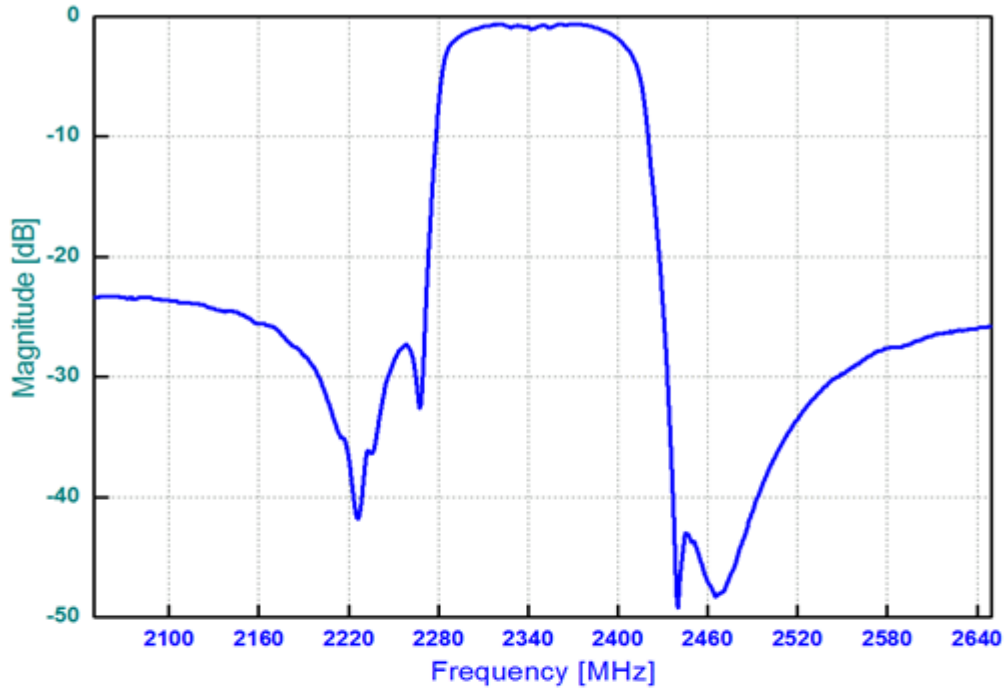
## Testing Environment



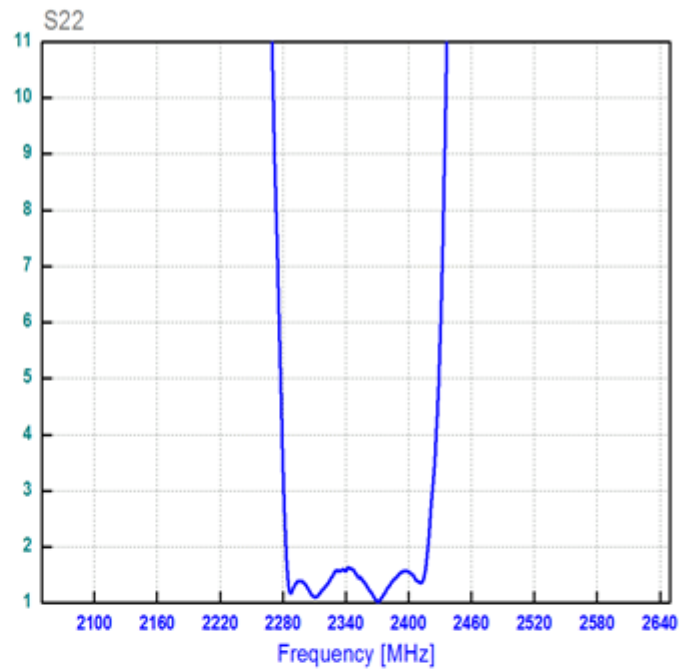
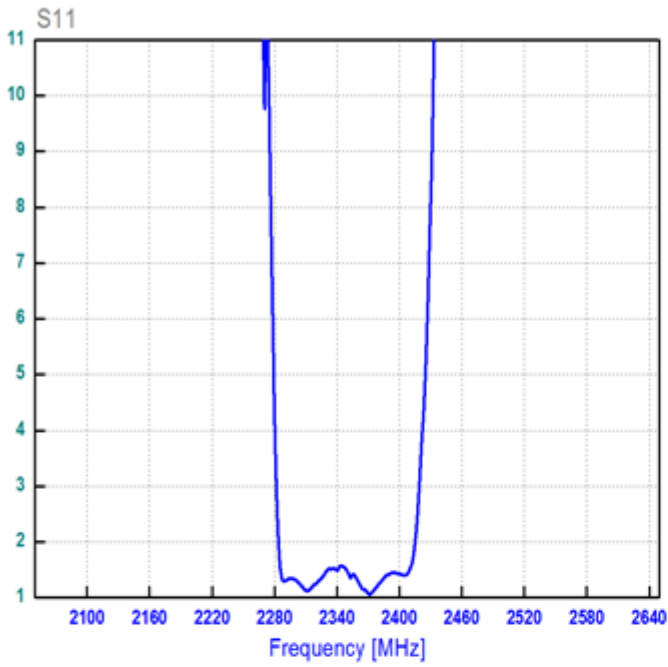
Source & Load Impedance: 50  $\Omega$

**Frequency Characteristics**

**Frequency Response**



**VSWR**



**Smith Chart**

